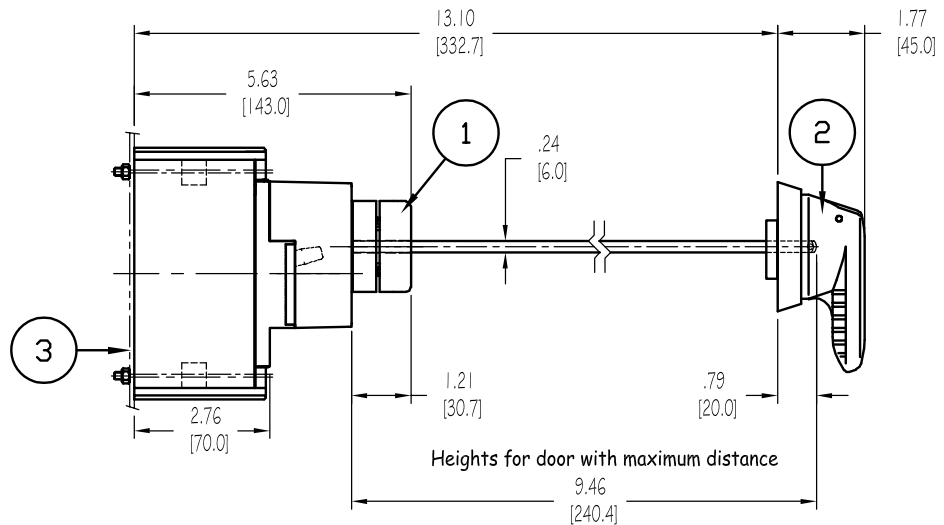




# Approximate dimensions T1 - T3 Variable depth mechanism with OHB handle

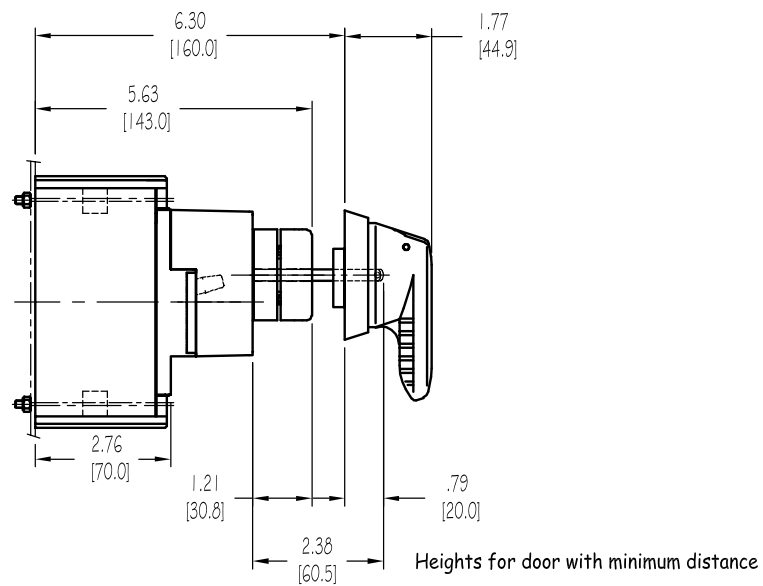
Tmax  
MCCBs

Pistol handle operating mechanism on the compartment door



Caption

- ① Transmission unit
- ② Pistol handle operating mechanism on the compartment door
- ③ Insulating plate



Drilling template of the compartment door

| A               |               |
|-----------------|---------------|
| T1 - T2         | T3            |
| 0.55<br>[13.97] | 0.37<br>[9.4] |

